



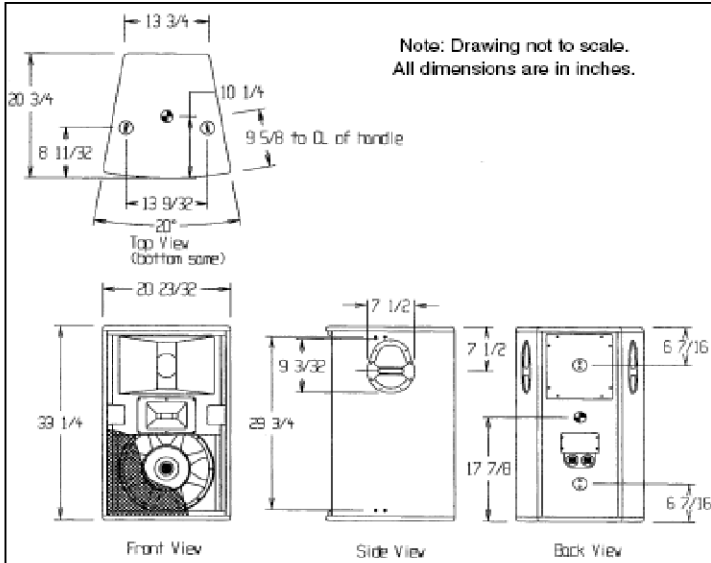
V-Series

Three-Way Loudspeaker System



V-3000 (3-Way Active)

V-3010 (3-Way Switchable Active or Passive)



failure due to workmanship and materials for a period of five (5) years from date of purchase and is limited to original purchaser. If such failure does occur, unit will be replaced or repaired (at the discretion of OAP Audio) without charge for labor and materials. Unit must be delivered to OAP Audio or one of our authorized service facilities prepaid. In warranty items will be returned prepaid. Items not covered by warranty includes finish or appearance items, or failure due to operation under other than specified conditions. This warranty also does not include any incidental or consequential damages. Repair by other than OAP Audio or an authorized service facility will void this guarantee.

V-3000/3010 Specifications

V-3000 (active)

Impedance 8 ohms LF, 8 ohms MF, 8 ohms HF
Sensitivity LF-100.2 dB 1w/1m avg. between 75 Hz to 250 Hz (active)
MF-103.0 dB 1w/1m avg. between 250 Hz to 2 kHz (active)
HF-108.1 dB 1w/1m avg. between 2 kHz to 16 kHz (active)

V-3010 (active/passive)

Impedance 8 ohms (passive configuration) Passive crossover can be configured for full range passive, biamp, or triamp.
Sensitivity 102.6 dB 1w/1m avg. between 125 Hz to 16 kHz oct. centers.
System Power (passive) 800 watts program, 400 watts nominal

General:

Construction Trapezoidal Shaped 10° taper, 3/4" Birch Ply
Size 20 3/4"W x 33 1/4"H x 20 3/4"D
Weight 110 Lbs.
Grill 16 gauge Perf, Steel grill (powder coated)
Input Neutrik NL8 8 pin connector (terminal block optional). Pin assignment: 1 +/- feed thru for sub, 2 +/- LF, 3 +/-MF, 4 +/- HF
Fly Points 2 per top, bottom, and back with 6 total. Each with 1/4"-28 threaded inserts for use with OAP FHK or FIB. (opt. flypoints located on sides at top and bottom w/ 1/4"-28 inserts).
Frequency Response 52 Hz-12 kHz +/- 3dB/oct., 40 Hz-18kHz +/- 6dB/oct.
Low Freq. Device 15" cast frame with 4" edge wound voice coil, glass fiber former, 8 ohm. 1400 watts program, 700 watts nominal. Loaded into bass reflex/quasi-horn design
Mid Freq. Device 10" cast frame with 3" edge wound voice coil, glass fiber former, 8 ohm. Loaded into a 60° x 10° straight axis wood horn w/ compression chamber. 700 watts program, 350 watts nominal.
High Freq. Device 2" exit compression driver w/ a titanium diaphragm, edgewound voice coil, 8 ohm. Mounted to a 60 x 40° constant directivity aluminum horn. 220 watts program, 110 watts nominal.
Crossover Settings 300 Hz between the LF/MF and 2.2 kHz between MF/HF, 24 dB/oct. Linkwitz-Riley filter.
Handles 2 recessed ABS plastic bar handles on side
Finish Black, White, Unfinished, and Roadcoat
Rev. F (04/07)

General

The V-3000/3010 is a compact yet powerful three way system which utilizes a 2" driver coupled to a 70° x 50° horn for high frequency reproduction; a 10" transducer which is positioned in a 60° x 10° horn flare for mid-range coverage; and a 15" bass reflex woofer (1200W program power) provides for the low frequency. The V-3000/3010 arrayable loudspeaker system is a true three way design that delivers outstanding vocal reproduction; as well as excellent pattern and tonal control for both mid and low frequencies. The V-3000/3010 is ideally suited for portable and touring applications, as well as fixed installations. The V-Series utilizes the OAP steel flying system for the ultimate in flying safety; high quality 3/4" birch ply; and is available in white, black, unfinished, and roadcoat finishes. The V-3000/3010 is trapezoid in shape: 20 3/4" wide x 33 1/4" high x 20 3/4" deep with a 10° taper.

V-3010

The OAP V-3010 includes a switchable" passive crossover for use in full range, biamp, or triamp applications. The full range crossover is easily field convertible to biamp or triamp configuration creating ideal user flexibility. Full Range sensitivity (passive) measures 97 dB (1w/1m); 800 watt program power; 75 Hz to 16 KHz +/- 3 dB.

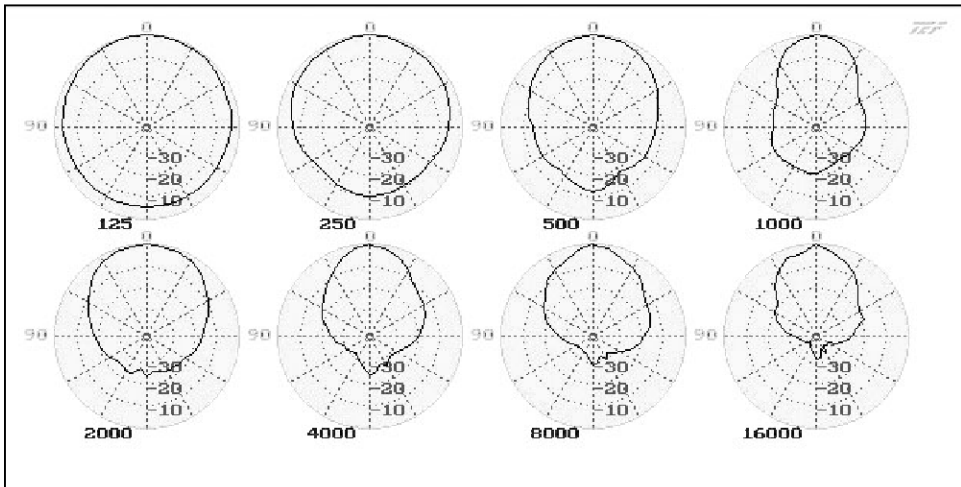
Flying Operation

WARNING!!! Rigging and flying of the V-3000/3010 should be done by persons familiar with standard rigging practices. Overhead rigging requires extensive experience including (but not limited to) calculating working load limits, hardware installation and periodic safety inspection of all hardware and cabinetry. If you lack these qualifications, do not attempt the installation yourself, but instead use a professional structure rigger. OAP Audio recommends that any installation of this product be done by a qualified professional. OAP Audio will accept no liability for any damage or injury caused as a direct or indirect result of improper handling, installation or use of this product.

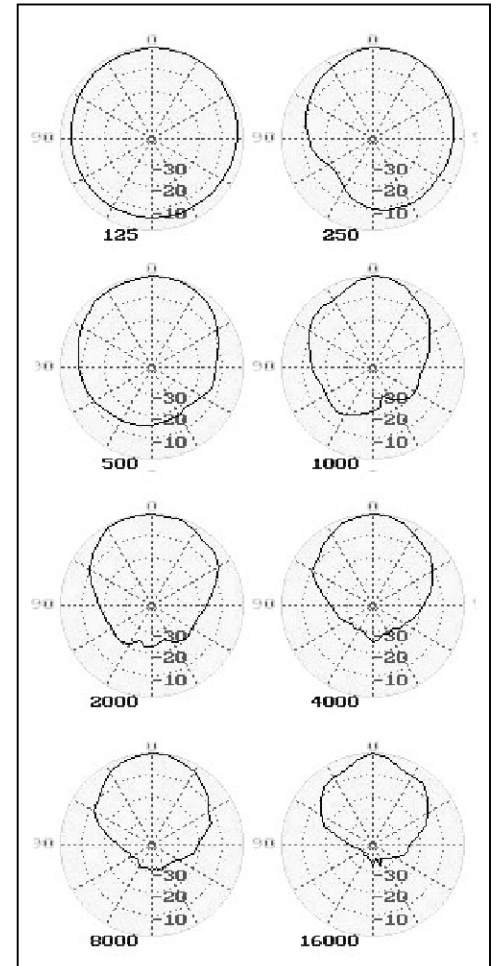
WARRANTY: OAP Audio loudspeaker systems are guaranteed against



V-3000/3010 Horizontal Polar Plots



V-3000/3010 Vertical Polar Plots



V-3000/3010 Frequency Response

