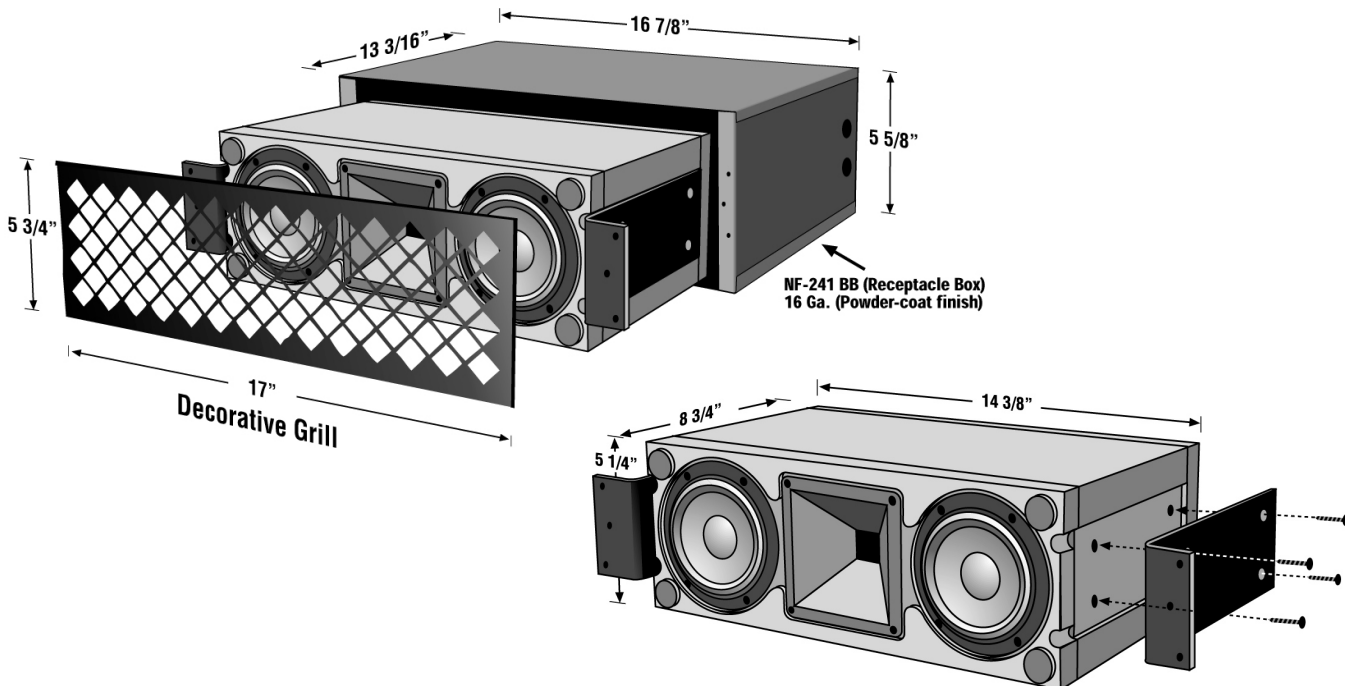
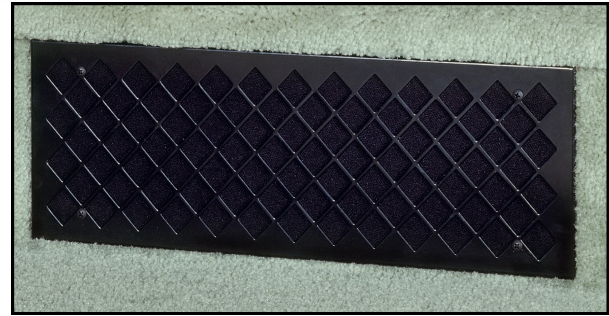


NF-241HP² "Stair Riser" Professional Loudspeaker System



General

OAP's NF-241HP² is a proven audio solution being utilized in many Architects, Audio Consultants and Systems Integrators sound systems' solutions. The NF-241HP² is designed to mount into stair risers and/or stage fronts in houses of worship, auditoriums, classrooms, hotel lobby's, or venues where "hideable" near field coverage is required and a small efficient full range loudspeaker is needed. The NF-241HP² utilizes "FRINGE FIELD MAXIMIZATION" in the Dual LF-Drivers. The enhanced Dual LF-Drivers have been optimized by incorporating a powerful 20-oz. Ferrite magnet together with a high energy Neodymium disc that redirects and focuses unproductive fringe magnetic fields back into the magnetic gap producing maximum flux density. The NF-241HP² dimensions are 14.375" W x 8.75" D x 5.25" H, and has been specifically designed to fit between 16" OC studs. The enclosure has a power handling rating of 150 watts peak program power; 96 db

sensitivity measured at a 1 watt @ 1 meter; and a frequency response of 128Hz to 15Khz. This industry first solution comes complete with a decorative epoxy coated black (with white option) 16 gauge steel grill (the grill can also be site paintable to match the venue's decorative requirements), and steel mounting brackets. Optionally available is a steel back-box housing (NF-241 BB speaker receptacle box) for pre-building construction speaker placement requirements (i.e. building code or concrete installations); and a 30 watt (multi tap) transformer. The NF-241HP² "full range" loudspeaker system incorporates Dual 4 1/4" low frequency rubber surround cone speakers; and a 90° x 90° horn coupled to a 1" voice coil high frequency compression driver. A unique NF-241HP² passive crossover is incorporated into the painted 3/4" all wood enclosure.

NOTE: As a research and development corporation, OAP Audio reserves the right to change specifications to improve performance.

Rev. F (05/13)

WARRANTY: OAP Audio NF-241HP² loudspeaker system is guaranteed against failure due to workmanship and materials for a period of five (5) years from date of purchase and is limited to original purchaser. If such failure does occur, unit will be replaced or repaired (at the discretion of OAP Audio) without charge for labor and materials. Unit must be delivered to OAP Audio or one of our authorized service facilities prepaid. In warranty items will be returned prepaid. Items not covered by warranty includes finish or appearance items, or failure due to operation under other than specified conditions. This warranty also does not include any incidental or consequential damages. Repair by other than OAP Audio or an authorized service facility will void this guarantee.

NF-241HP² Specifications

Impedance	16 ohm system
Sensitivity	96 db 1 watt @ 1 meter averaged between 125Hz and 16Khz
Frequency Response	175Hz - 11Khz. (+/-3db) (128Hz - 15Khz.(+/-6db)
Power Handling	150 watts peak program 80 watts continuous
Size	14.375" W (16.75" to mounting ears) x 8.75" D x 5.25" H (will fit between 16" OC studs)
Weight	17 lbs.
Mounting	Supplied mounting brackets (steel)
Finish	Black
Low frequency device	2-8 ohm, 4.5" with rubber surround, treated paper cone, 1" voice coil and 20 oz. magnet
High frequency device	1-8 ohm, 90x90 ABS plastic HF unit with 1" voice coil, phenolic diaphragm and 11oz. magnet
Input	2 position terminal block Red +/-Black -
Crossover	2-way passive (30 watt transformer optional)
Decorative Grill	17" W x 5.75" H (16 Ga. Black)
Option: NF-241BB	16.875" W x 5.625" H x 13.1875" D (16 Ga. Black) Weight 12 lbs.

ARCHITECTURAL SPECIFICATIONS: The loudspeaker shall be of the two-way type. The loudspeaker shall incorporate dual 4½" woofers capable of handling 150 watts peak program power. The high frequencies shall be reproduced by a 1" voice coil phenolic diaphragm compression driver mounted on a 90° x90° ABS horn. The system shall have a frequency range of 128 Hz to 15Khz +3-6 dB, a pressure sensitivity of 96 dB at a 1 watt power capacity measured at 1 meter and averaged between 125 Hz and 16 KHz. The cabinet shall be constructed of ¾" birch plywood. All exposed corners shall be rounded for damage resistance. A 16-gauge carbon steel, epoxy coated decorative grill shall be provided for protection of transducers. Mounting brackets shall be provided for mounting the loudspeaker system to flat surfaces such as walls or studs. An optional steel Back Box (NF-214 BB) shall be available to use for speaker installation in the concrete or where building codes require a metal enclosure.

NF-241HP² Frequency Response



Also Available:

NF-241 HP² Stand Alone (Portable)



(16.375" W x 10"D x 5.25" H)

A handsomely styled Stand Alone version of the "Stair Riser"-incorporating the same high performance components and yielding the same performance specifications. The NF-241HP² Stand Alone utilizes ¾" birch plywood with a painted textured finish; rounded corners; and a fabric grill. Additionally, mounting points have been incorporated into the cabinet sides for bracket use installation. Optional finishes available.

Rev. F (05/13)