

# UBF-622

## Compact Loudspeaker System

### General

The UBF-622 is a compact full range speaker system designed for applications where a high quality fill speaker is needed for sound reinforcements and music playback. The low frequencies are reproduced by dual 6.5" transducers. The 6.5" woofers have large 30 oz. magnets and 2" voice coils for high efficiency. The pole piece is vented for cooling to give the UBF-622 power handling capability of 325 watts. The high frequencies are handled by our proven CD-1000 compression driver. The CD-1000 is a 1" throat compression driver with a 2" voice coil and 1.75" titanium diaphragm. The CD-1000 compression driver is coupled to a 110° conical horn for wide coverage in short-throw fill applications. The UBF-622 comes standard with full L/C type passive network.

To insure enclosure stability, 3/4" Birch plywood is used with all interconnecting surfaces extensively braced and glued. To protect the transducers, a two-stage grill system is used. The outer grill is a 16-gauge perforated, epoxy coated carbon steel for protection against rough usage. The inner grill is cloth. This grill material protects the transducers from dust, moisture, and ultraviolet damage over an extended period of time.

Adding to the flexibility of the UBF-622 is the optional MB-622 mounting bracket. This versatile formed steel piece allows the UBF-622 to be mounted horizontally or vertically to a flat surface such as a ceiling or wall. For portable use the MB-622 also allows the UBF-622 to be mounted to a speaker stand using standard "T" adapters available from most stand manufacturers. The standard finish of the UBF-622 is black textured paint with white and unfinished also available. Like all OAP Audio Loudspeaker Systems, the UBF-622 comes with a five year warranty.

### Applications

The UBF-622 should be used when a compact, high-output loudspeaker system is needed for sound reinforcement and music playback in fill situations. The UBF-622 is used in Houses of Worship and Live Theater for under balcony and front-of-house short throw applications in conjunction with main house speaker systems. Other applications include lounges, bars, and nightclubs. The UBF-622 is equally at home in airports, boardrooms, convention centers, hotels, and schools.

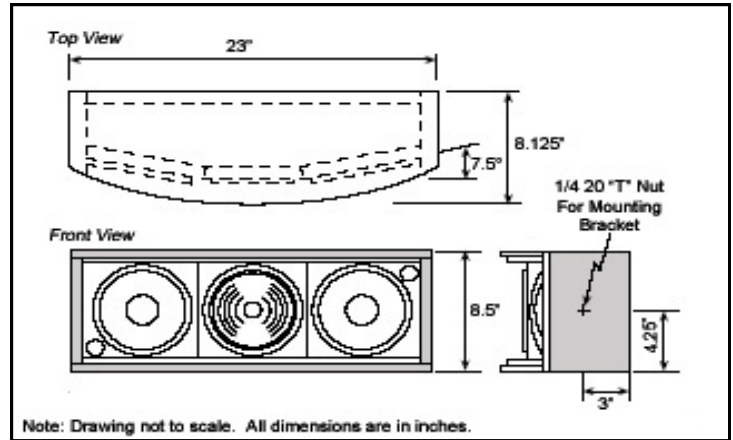
### The UBF-622 XOVER and Optional Connector Panel

The crossover network plays a very important part in the sonic quality of a loudspeaker system. The UBF-622 comes standard with a full L/C type passive network. To achieve low insertion loss and high reliability, 14-gauge wire and mylar capacitors are used throughout.

The UBF-622 is supplied with terminal screw inputs. Also available are five-way binding post and high power 15-amp 1/4" jacks. For all OAP 1/4" operations the tip is positive and the sleeve is negative.

**WARNING!!!! RIGGING AND FLYING OF THE UBF-622 SHOULD BE DONE BY PERSONS FAMILIAR WITH STANDARD RIGGING PRACTICES. IF YOU ARE NOT FAMILIAR WITH THESE PRACTICES PLEASE CONSULT THE FACTORY, YOUR DEALER, THE LOCAL STAGE HANDS UNION OR A RIGGING SUPPLY COMPANY IN YOUR AREA.**

**WARRANTY:** OAP Audio loudspeaker systems are guaranteed against failure due to workmanship and materials for a period of five (5) years from date of purchase and is limited to original purchaser. If such failure does occur, unit will be replaced or repaired (at the discretion of OAP Audio) without charge for labor and materials. Unit must be delivered to OAP Audio or one of our authorized service facilities prepaid. In warranty items will be returned prepaid. Items not covered by warranty includes finish or



appearance items, or failure due to operation under other than specified conditions. This warranty also does not include any incidental or consequential damages. Repair by other than OAP Audio or an authorized service facility will void this guarantee.

**ARCHITECTURAL SPECIFICATIONS:** The loudspeaker shall be of the two-way type. The loudspeaker shall incorporate dual 6.5" woofers capable of handling 150 watts continuous power. The high frequencies shall be reproduced by a 1" throat, titanium diaphragm compression driver mounted on a 110° conical horn. The system shall have a frequency range of 80 Hz to 16 KHz +3 dB, a pressure sensitivity of 96.6 dB at 1 watt power capacity measured at 1 meter and averaged between 125 HZ and 8 KHz. The cabinet shall be constructed of 3/4" Birch plywood and stiffened internally. All exposed corners shall be rounded for damage resistance. A 16-gauge carbon protection of transducers. An optional mounting bracket (MB-622) shall be available for mounting the loudspeaker system to flat surfaces such as walls or ceilings. The systems shall be the OAP UBF-622.

### UBF-622 Specifications

Impedance	8 ohms nominal
Low Frequency Device	6.5" woofer, 2" voice-coil w/ vented pole piece, 30 oz. magnet
High Frequency Driver	2" titanium diaphragm with 1" throat
High Frequency Horn	1" throat defined coverage horn, 110° dispersion
Frequency Response	+3dB/-6dB 80 Hz to 16 KHz
Power Handling	w/ L-Pad 1/2 open: 96.6 dB 1 watt @ 1 meter averaged b/t 125 Hz and 8 KHz; 95.6 dB 1 watt @ 1 meter averaged b/t 125 Hz and 16 KHz
Dimensions	23" W x 8.5" H x 8.25" D
Weight	30 lbs.
Flypoints	2 1/4", thread T-nuts
Mounting	Adaptable to industry available mounting hardware on back
Color	Black, White, and unfinished
Grill	16-gauge perforated carbon steel, epoxy coated black with white metal also available.
Input	Terminal Block- Red +/-Black -

NOTE: As a research and development corporation, OAP Audio reserves the right to change specifications to improve performance.

Rev. H (05/13)