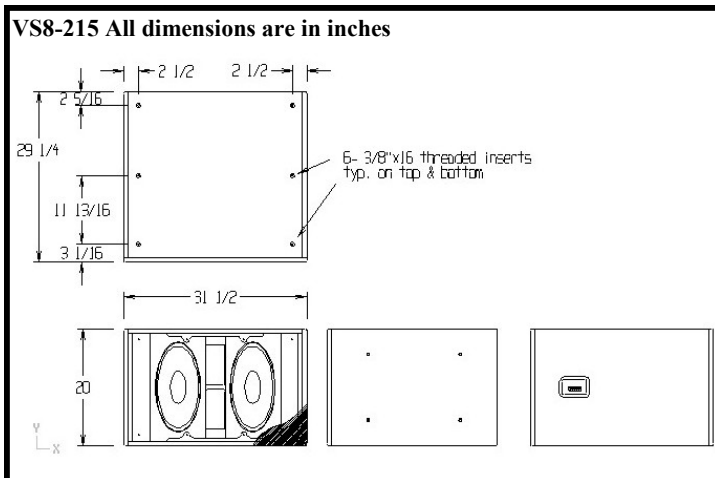


# VS8-Series VS8-215 Vertical Stack Loudspeaker



## General

The VS8-215 is a flyable and arrayable low frequency sub-woofer. The OAP VS8-215 utilizes dual 15" woofers that are mounted into the cabinet to assist in longer low frequency throws. Additionally, the porting is horn loaded to reproduce warmer base responses. The VS8-215 has a power handling capability of 2400 watts program power; a system impedance of 4 ohms; a system sensitivity measured at 101 dB at 1w/1m; and an overall frequency response of 45 hz to 2 khz. The VS8-215 is designed to perform equally well as a stand alone sub-woofer, independently flown using an OAP specific external mounting bracket, or arrayed with other VS8-Series products (i.e. VS8-60; VS8-90; or VS8-120). When integrated with other VS8-Series cabinets the VS8-215 is attached via the use of OAP specific 2 degree adjustable external front and rear steel flying brackets (2 rear and 2 front brackets required to fly each unit). The adjustable mounting brackets are all hidden when the side decorative panels are installed. The unit comes with a removable cloth covered grill. The 3/4" birch veneer plywood cabinet with it's structurally integrated internal steel bracketry is available in black; white; or unfinished with multiple colored cloths available for the grill. The handsomely styled VS8-Series with it's flexible and *safety first* arrayable flying features; finitely adjustable pattern control; astonishing full range tonal reproducing capability; and excellent *high* output efficiency make it ideally suited for use in Houses of Worship, Auditoriums, Clubs, Sporting Venues, and Concert Halls. (note: a vertical stack of up to 16 VS8-Series units can be safely accommodated).

**WARNING!!!! RIGGING AND FLYING OF THE VS8-SERIES SHOULD BE DONE BY PERSONS FAMILIAR WITH STANDARD RIGGING PRACTICES. IF YOU ARE NOT FAMILIAR WITH THESE PRACTICES PLEASE CONSULT THE FACTORY, YOUR DEALER, THE LOCAL STAGE HANDS UNION OR A RIGGING SUPPLY COMPANY IN YOUR AREA.**

**ARCHITECTURAL SPECIFICATIONS:** The VS8-215 shall be of the low frequency type. The VS8-215 shall incorporate dual 15's. The system shall have a frequency range of 45 hz to 2 khz, a sensitivity of 101 dB at 1w / 1m . The VS8-215 system shall be constructed of 3/4" birch veneer plywood and stiffened internally. Integrated internal steel flying brackets shall also be incorporated for flying safety. All exposed edges of the cabinet shall be rounded for damage resistance.

Six flying points shall be incorporated on each side of the cabinet. The loudspeaker shall be the OAP Audio model VS8-215.

NOTE: As a research and development corporation, OAP Audio reserves the right to change specifications to improve performance.

## VS8-215 Specifications

Imp.	4 ohm
Sensitivity	101 dB 1w/1m
Freq. Response	45hz-2khz (+/-3db) 35hz-1.5khz (+/- 6db)
Power Handling	2400 watts program LF (1400 watts cont.)
Size	31.5" W x 29.25" D x 20" H
Weight	140 lbs./ 63.5 kg.
Taper	0 degree
Mounting	VS8-Series Hardware 6-3/8"x16 points top and bottom for forged I-bolts
Finish	Black, White or unfinished
Low Freq. Device	2/ 8 ohm, 15" with treated cloth surround (wired parallel), 4" voice coil and 96oz. magnet mounted in a horn loaded bass reflex enclosure.
Input	4 position terminal block or NL4 Neutrik connector. Red +/-Black -
Crossover	Active 2 or 3-way operation. Recommended crossover point 80Hz to 150 Hz.
Grill Cloth	Black, White, Wheat, Pumice available

**WARRANTY:** OAP Audio VS8-Series loudspeaker systems are guaranteed against failure due to workmanship and materials for a period of five (5) years from date of purchase and is limited to original purchaser. If such failure does occur, unit will be replaced or repaired (at the discretion of OAP Audio) without charge for labor and materials. Unit must be delivered to OAP Audio or one of our authorized service facilities prepaid. In warranty items will be returned prepaid. Items not covered by warranty includes finish or appearance items, or failure due to operation under other than specified conditions. This warranty also does not include any incidental or consequential damages. Repair by other than OAP Audio or an authorized service facility will void this guarantee.

Rev. E (05/13)