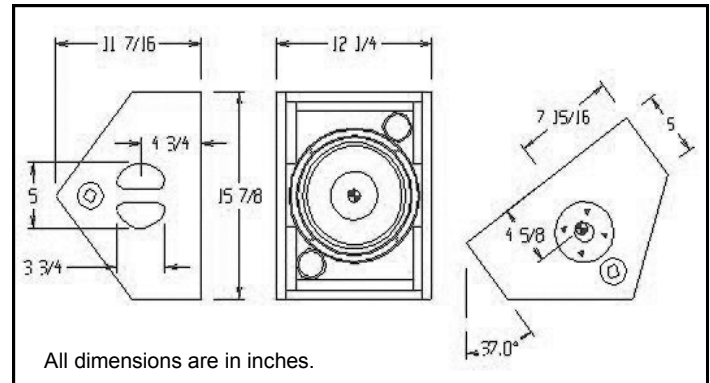


PS-110 "The Pilot"

Professional Loudspeaker System



WARRANTY: OAP Audio Loudspeaker Systems are guaranteed against failure due to workmanship and materials for a period of five (5) years from date of purchase and is limited to original purchaser. If such failure does occur, unit will be replaced or repaired (at the discretion of OAP Audio) without charge for labor and materials. Unit must be delivered to OAP Audio or one of our authorized service facilities prepaid. In warranty items will be returned prepaid. Items not covered by warranty includes finish or appearance items, or failure due to operation under other than specified conditions. This warranty also does not include any incidental or consequential damages. Repair by other than OAP Audio or an authorized service facility will void this guarantee.

Specifications

Low Frequency Device	8 ohm, 10" with cloth surround, paper cone, 2 1/2" voice coil.
High Frequency Device	8 ohm, 70 degree nominal coaxial HF unit with 2 1/2" voice coil, titanium field replaceable diaphragm
Impedance	8 ohms nominal
Frequency Response	75 hz to 20 khz (+/- 3 db), 54 hz to 22 khz (+/- 6 db)
Sensitivity	99 dB 1 watt @ 1 meter averaged between 125 hz to 16 khz. 128 db maximum calculated
Power Handling	400 watts peak program power (200 watts continuous)
Dimensions	15.875" H x 12.25" W x 11.44" D
Weight	22 Lbs.
Taper	37 degree angle
Input Connector	2-NL4 Neutrick connector only (pins 1 +/- full range input)
Crossover	2-way passive 12 dB/oct
Color	Black textured paint is standard with white and unfinished optional
Grill	Black epoxy perforated 18 gauge carbon steel, white grill available as an option

NOTE: As a research and development corporation, OAP Audio reserves the right to change specifications to improve performance.

General

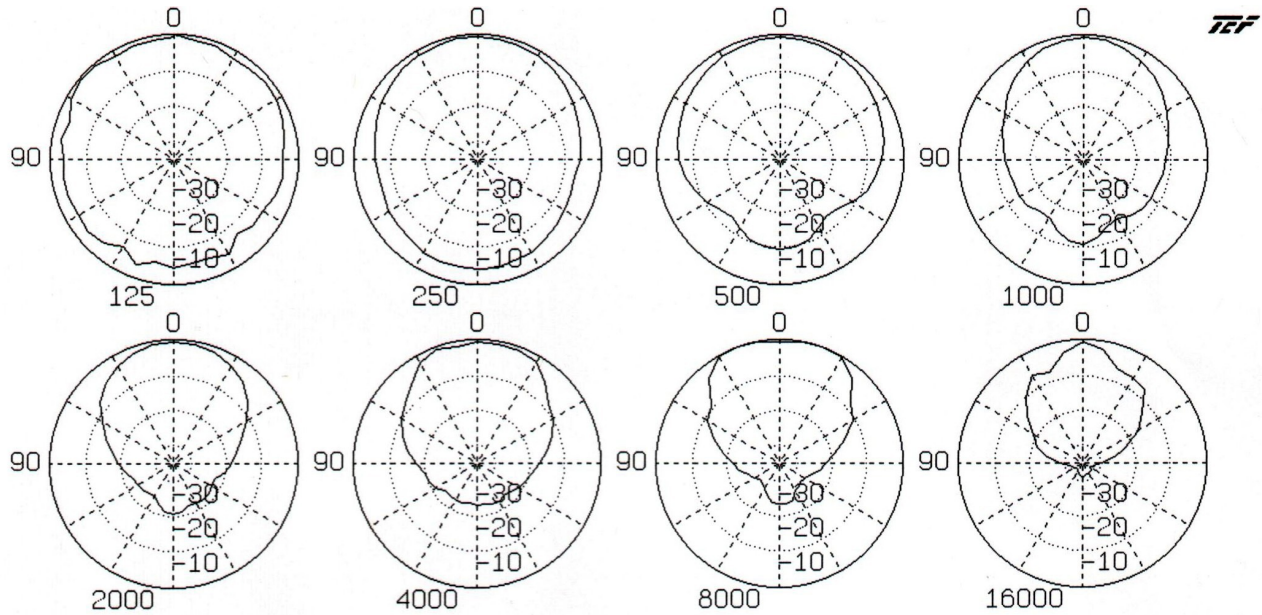
The PS-110 is a two-way 10" Co-Axial Speaker with a 70° conical horn and an integral 1" titanium diaphragm driver. To achieve low crossover insertion loss and high reliability, 14 gauge wire and mylar capacitors are used throughout with all components mechanically secured to a glass epoxy PC board. The PS-110 is ideally suited for portable and touring applications, as well as fixed installations. To ensure enclosure stability, 3/4" birch plywood is used with all interconnecting surfaces extensively braced and glued. Standard color is black, with white and roadcoat available as optional colors. An unfinished version is available for user supplied finish. All hardware is recessed and the handles are integral to the enclosure for transport pack. Full Range sensitivity measures 99 dB (1w/1m); 200 watt continuous program power; 75 hz to 20 khz +/- 3 db.

Applications

The PS-110 was designed as a unique solution, multifunctional loudspeaker in a small, lightweight, very stylish cabinet. The PS-110 can be used in a stage monitor application; front of house speaker with it's pole socket; or in a fixed application with optional/mounting hardware. The PS-110 has applications for Houses of Worship, schools, restaurants and lounges, portable PA's, and corporate board rooms.

Rev. B (05/13)

PS-110 Horizontal Polar Plots



PS-110 Vertical Polar Plots

