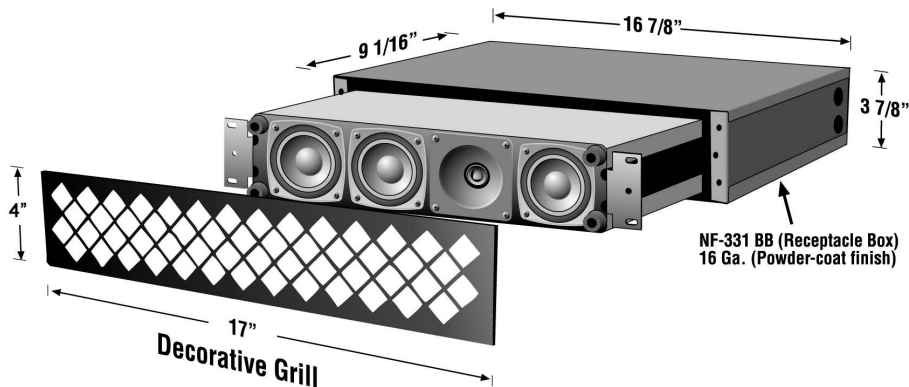
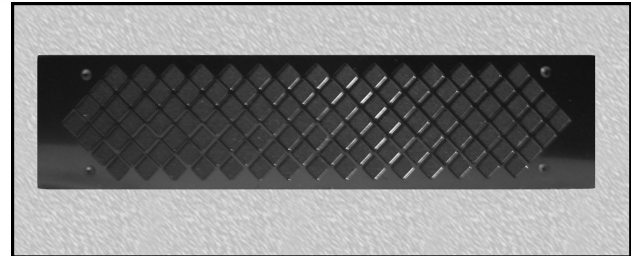


NF-331HP "Stair Riser" SLIM LINE Professional Loudspeaker System



General

The NF-331HP "Stair Riser" Slim Line is the newest addition to the OAP Navigator Series line of loudspeakers. The NF-331HP was designed to mount into stair risers and/or stage fronts in houses of worship; auditoriums; classrooms; hotel lobby's; or venues where "hideable" near field coverage is required and a small efficient full range loudspeaker is needed. Being only 3½" tall the NF-331HP's height is ¼" less than the OAP industry first NF-241 HP² "Stair Riser" making it the ideal solution for those tight or height restricted situations. The NF-331HP utilizes "FRINGE FIELD MAXIMIZATION" in the three LF-Drivers. The three LF-Drivers have been optimized by incorporating two high energy 1 oz. Neodymium discs at the top and bottom of the circuit that redirects and focuses unproductive fringe magnetic fields back into the magnetic gap producing maximum flux density. The NF-331HP dimensions are 14.34" W x 6.375" D x 3.5"H, and has been specifically designed to fit between 16" OC studs. The enclosure has a power handling rating of 100 watts peak program power; 95.4 db sensitivity measured at a 1 watt @ 1 meter; and a frequency response of 250Hz to 20kHz. This industry first solution comes complete with a decorative epoxy coated black (with white option) 16 gauge steel grill (the grill can also be site paintable to match the venue's decorative requirements), and steel mounting brackets. Optionally available is a steel back-box housing (NF-331 BB speaker receptacle box) for pre-building construction speaker placement requirements (i.e. building code or concrete installations). The NF-331HP "full range" loudspeaker system incorporates three 3" low frequency rubber surround cone speakers; and a 90° horn coupled to a 1" voice coil high frequency compression driver. A unique NF-331HP passive crossover is incorporated into the painted ¾" "all wood" enclosure.

ARCHITECTURAL SPECIFICATIONS: The loudspeaker shall be of the two-way type. The loudspeaker shall incorporate three 3" woofers capable of handling 100 watts peak program power. The high frequencies shall be reproduced by a 1" voice coil phenolic diaphragm compression driver mounted on a 90° ABS horn. The system shall have a frequency range of 250 Hz to 20 kHz +3-6 dB, a pressure sensitivity of 95.4 dB at a 1 watt power capacity measured at 1 meter and averaged between 250 Hz and 20 kHz. The cabinet shall be constructed of ¾" birch plywood. All exposed corners shall be rounded for damage resistance. A 16-gauge carbon steel, epoxy coated decorative grill shall be provided for protection of transducers. Mounting brackets shall be provided for mounting the loudspeaker system to flat surfaces such as walls or studs. An optional steel Back Box (NF-331 BB) shall be available to use for speaker installation in the concrete or where building codes require a metal enclosure. NOTE: As a research and development corporation, OAP Audio reserves the right to change specifications to improve performance.

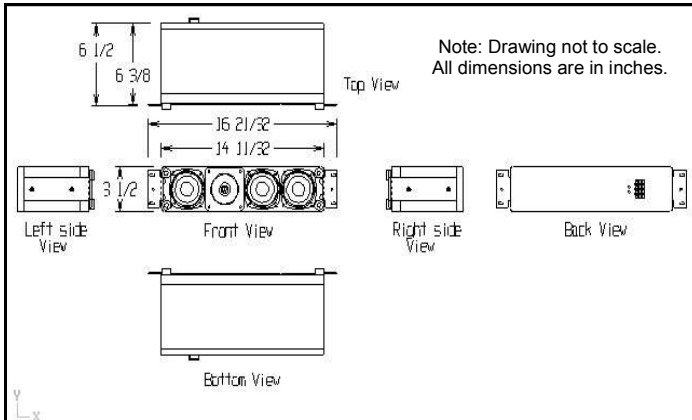
WARRANTY: OAP Audio NF-331HP loudspeaker system is guaranteed against failure due to workmanship and materials for a period of five (5) years from date of purchase and is limited to original purchaser. If such failure does occur, unit will be replaced or repaired (at the discretion of OAP Audio) without charge for labor and materials. Unit must be delivered to OAP Audio or one of our authorized service facilities prepaid. In warranty items will be returned prepaid. Items not covered by warranty includes finish or appearance items, or failure due to operation under other than specified conditions. This warranty also does not include any incidental or consequential damages. Repair by other than OAP Audio or an authorized service facility will void this guarantee.

Rev. F (05/13)

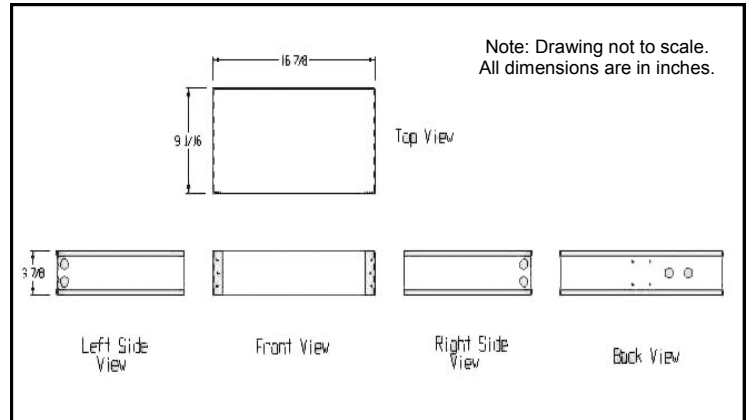
NF-331HP "Stair Riser" SLIM LINE Professional Loudspeaker System



NF-331HP



NF-331HP Back Box



NF-331HP Specifications

Impedance	16 ohm system
Sensitivity	95.4 db 1 watt @ 1 meter averaged between 250Hz and 16kHz
Frequency Response	500Hz - 16kHz. (+/-3db) 250Hz - 20kHz.(+/-6db)
Power Handling	100 watts peak program 60 watts continuous
Size	14.34" W (16.66" to mounting ears) x 6.375" D x 3.5" H (will fit between 16" OC studs)
Weight	9 lbs. (with mounting ears and grill)
Mounting	Supplied mounting brackets (steel)
Finish	Black
Low frequency device	3-5 ohm, 3" with rubber surround, treated paper cone, 1" voice coil and 2 oz. of Neodymium magnet
High frequency device	1-8 ohm, 90° conical ABS plastic HF unit with 1" voice coil, phenolic diaphragm and 11oz. magnet
Input	2 position terminal block Red +/-Black -
Crossover	2-way passive (30 watt transformer optional)
Decorative Grill	17" W x 4" H (16 Ga. Steel Black)
Back Box	16.875" W x 9.06" D x 3.875" H

NF-331 Frequency Response

