



Q-1800 LP

Q Series

Q-1800 Subwoofer



The Q-1800 is a trapezoid shaped subwoofer subsystem designed for flying operation. The LP suffix indicates a high performance 18" transducer. To achieve high reliability, 14 gauge wire is used throughout. To insure enclosure stability 3/4" birch plywood is used with all interconnecting surfaces extensively braced and glued. Being primarily an indoor cabinet, the Q-1800 uses a fire retardant cloth grill for both aesthetic and acoustical purposes. Standard finish is black textured paint, with white or unfinished as an option. Like all other OAP Loudspeaker systems, the Q-1800 comes with a five year warranty.

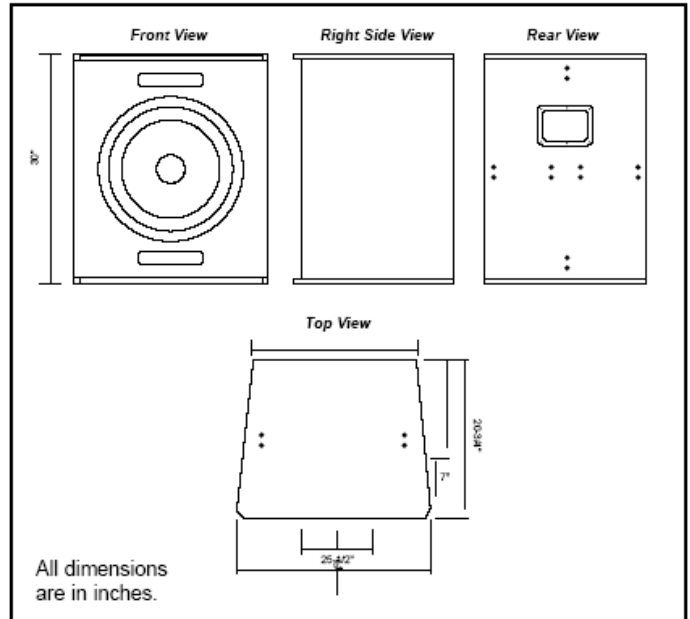
The Q-1800 should be used when a subwoofer is needed in conjunction with other OAP Q-Series speakers for additional low frequency response. The cabinet is dimensionally matched with other Q-series speakers such as the Q-2500 models allowing aesthetically pleasing arrays in various cluster configurations.

The speaker comes standard with a terminal strip input plate. Parallel NL4 connectors are optional. The Red and Black wires on the Terminal Block are the inputs. Pin 1+ and Pin 1- on the NL4 are in parallel. Pin 2+ and Pin 2- are unused.

The Q-1800 is easily flyable via ten fly points. There are two points on the top, two points on the bottom, and six points on the back facilitating cluster configuration rigging. The Q-1800 has two 1/4" 28-thread inserts installed at each of the ten points for use with the optional flying hardware or the optional external flying brackets. A flying hardware kit, model FHK is available and includes one flying hardware plate model FHP, one flying hardware tie-down model FHT, and two 1/4" 28-thread machine screws. The model FHP and FHT, as well as the screws also are available separately. The tie-down has a round ring with an inside dimension of 1.12" which can be used with most standard rigging hardware. You must use at least two FHK to safely suspend the Q-1800. Using the optional fly brackets, one or more Q-1800 cabinets may be connected with two or more Q-2500 cabinets. Attachment to the fly bracket can be made with either a Forged I-Bolt (FIB's), an FHK, or a shackle directly to the fly bracket itself. Q-series bracketry that can be used with this product are: Flying Bracket, Angle Bracket, Telescoping Bracket, Directional Bracket, or an Anchor Bracket. (For further detail see Bracketry spec sheet).

WARNING!!!! RIGGING AND FLYING OF THE Q-1800 SHOULD BE DONE BY PERSONS FAMILIAR WITH STANDARD RIGGING PRACTICES. IF YOU ARE NOT FAMILIAR WITH THESE PRACTICES PLEASE CONSULT THE FACTORY, YOUR DEALER, THE LOCAL STAGE HANDS UNION OR A RIGGING SUPPLY COMPANY IN YOUR AREA.

WARRANTY: Audio Q-Series loudspeaker systems are guaranteed against failure due to workmanship and materials for a period of five (5) years from date of purchase and is limited to original purchaser. If such failure does occur, unit will be replaced or repaired (at the discretion of OAP Audio) without charge for labor and materials. Unit must be delivered to OAP Audio or one of our authorized service facilities prepaid. In warranty items will be returned prepaid. Items not covered by warranty includes finish or appearance items, or failure due to operation under other than specified conditions. This warranty also does not include any incidental or consequential



damages. Repair by other than OAP Audio or an authorized service facility will void this guarantee.

ARCHITECTURAL SPECIFICATIONS The loudspeaker shall be of the low frequency/subwoofer type and a trapezoid shape (7.5° taper). The LP model loudspeaker shall incorporate a high performance 18" low frequency speaker with a 4" voice coil. The LP model shall have a frequency range of 45Hz to 200Hz, a sensitivity of 96.75db 1watt @ 1 meter. The Q-1800 cabinet shall be constructed of 3/4" birch plywood and stiffened internally. All exposed corners shall be rounded for damage resistance. The ten Fly-points shall be fitted with 1/4 inch 28 thread inserts to be used with optional aircraft type rigging fittings and the external Q-Series bracketry. The top and bottom of the cabinet shall be 3/4 inches thick. The top and bottom shall be reinforced with steel plates and connected together with 1/4 inch threaded rod to facilitate being able to rig one enclosure to another. The loudspeaker shall be the OAP model Q-1800 LP.

Q-1800 LP Specifications

Impedance	8 ohms
Low Frequency Device	High performance 18" dia. w/ cast frame, 4" voice coil
Frequency Response	45Hz to 200Hz
Power Handling	1200 watts continuous program
Sensitivity	96.75db 1watt @ 1 meter
Dimensions	25.5"W X 30"H X 20.75"D
Weight	100lbs.
Taper	7.5°
Flypoints	10-2 on Top, 2 on Bottom, and 6 on Back
Color	Black, White, and unfinished
Grill Cloth	Black, White, Wheat, and Pumice
Inputs	Terminal strip standard, NL4 optional

NOTE: As a research and development corporation, OAP Audio reserves the right to change specifications to improve performance.

Rev. F (05/13)